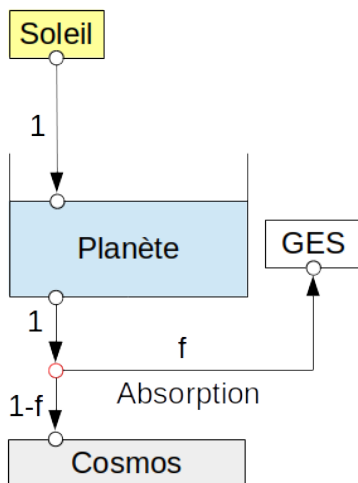
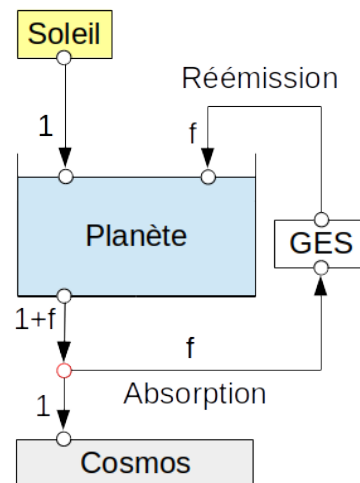
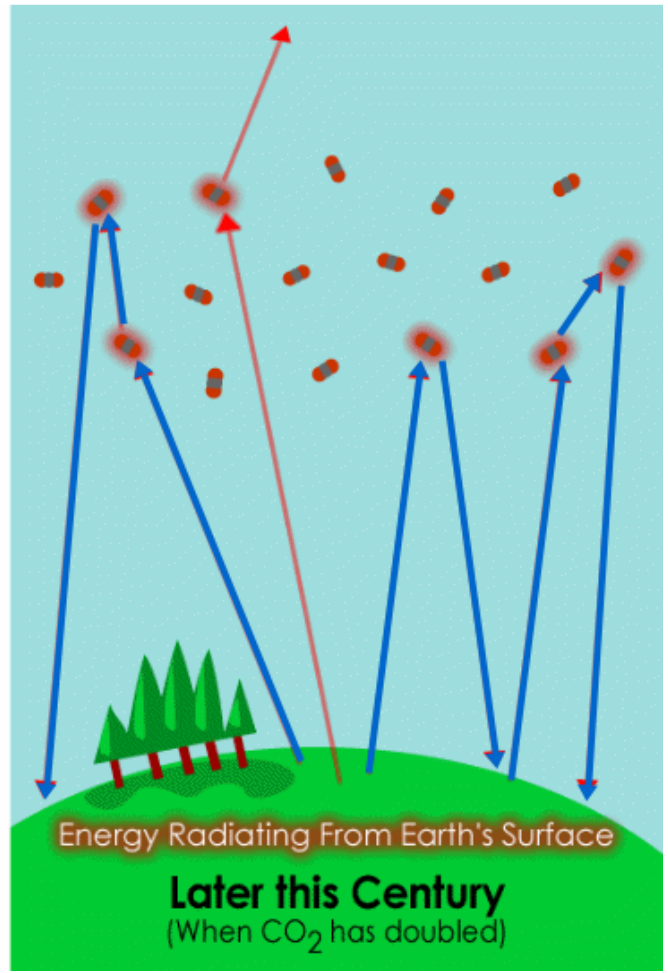
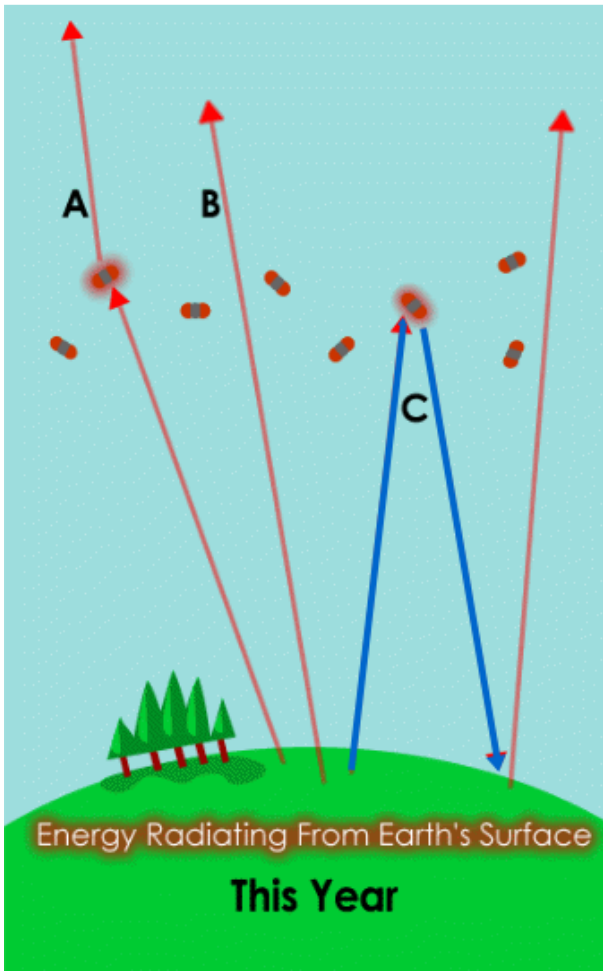


Ⓐ ✘

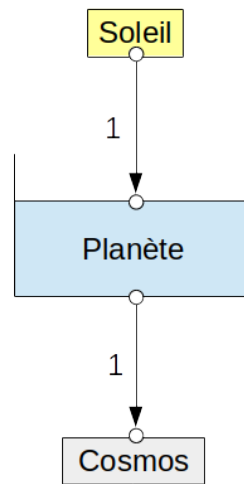
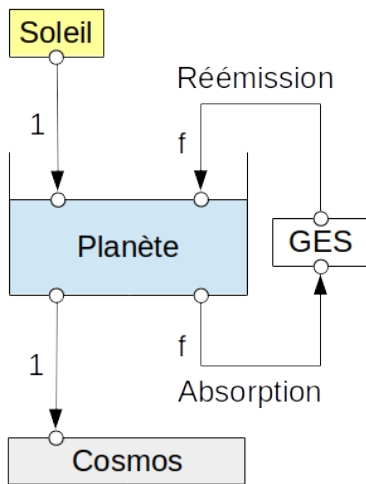


Ⓑ ✘





(C) ✓





<https://pixabay.com/photos/storm-sea-horizon-sunset-nature-4229050/>